



Total solution for the fenestration industry



GEETA Aluminium Company Pvt. Ltd.

Specially curated and highly customizable range of
Aluminium System Windows and Doors collection

ABOUT US

Established in 1964, Geeta Aluminium has emerged as a brand leader in India's Aluminium Industry. With its headquarters in Mumbai, India. Geeta Aluminium has expanded its area of operation across the country through its venture "Geeta Gallery". Geeta Aluminium is a legacy brand with a remarkable 60-year history of manufacturing customized window solutions that embody the core tenets of Durability, Precision, Performance, and Innovation.

Headquartered in Mumbai with Pan India Presence in 40+ Cities in association with our partners and fabricators which gives us the ability to mobilize 1 to 1000+ windows to different corners of the country with ease. At present, we provide a host of products and services to construction and building material businesses. Our Geeta Support System, offers a comprehensive after-sales service to our clientele.

Our unwavering dedication to craftsmanship and customer satisfaction, we aim to exceed expectations and set new standards of excellence in the industry. We strive to be the preferred choice for clients seeking reliable and bespoke window solutions that stand the test of time.

System windows & doors. Through strong supply-chain management processes namely central and regional warehouses, logistics and after sales support system, we are committed to provide trendsetting services and leave an everlasting imprint in the world of aluminium services.

Our Excellence



60 years
of experience



Indian Design
International Standards
for Indian Affordability



PAN India
presence



Touch & Feel
Experience Centre



Capacity to serve
from 1 to 1000+ Windows



Consultation &
Training Facility



After sales
Support System



Customised Engineering
Solutions

SLIMO SLIDING SERIES

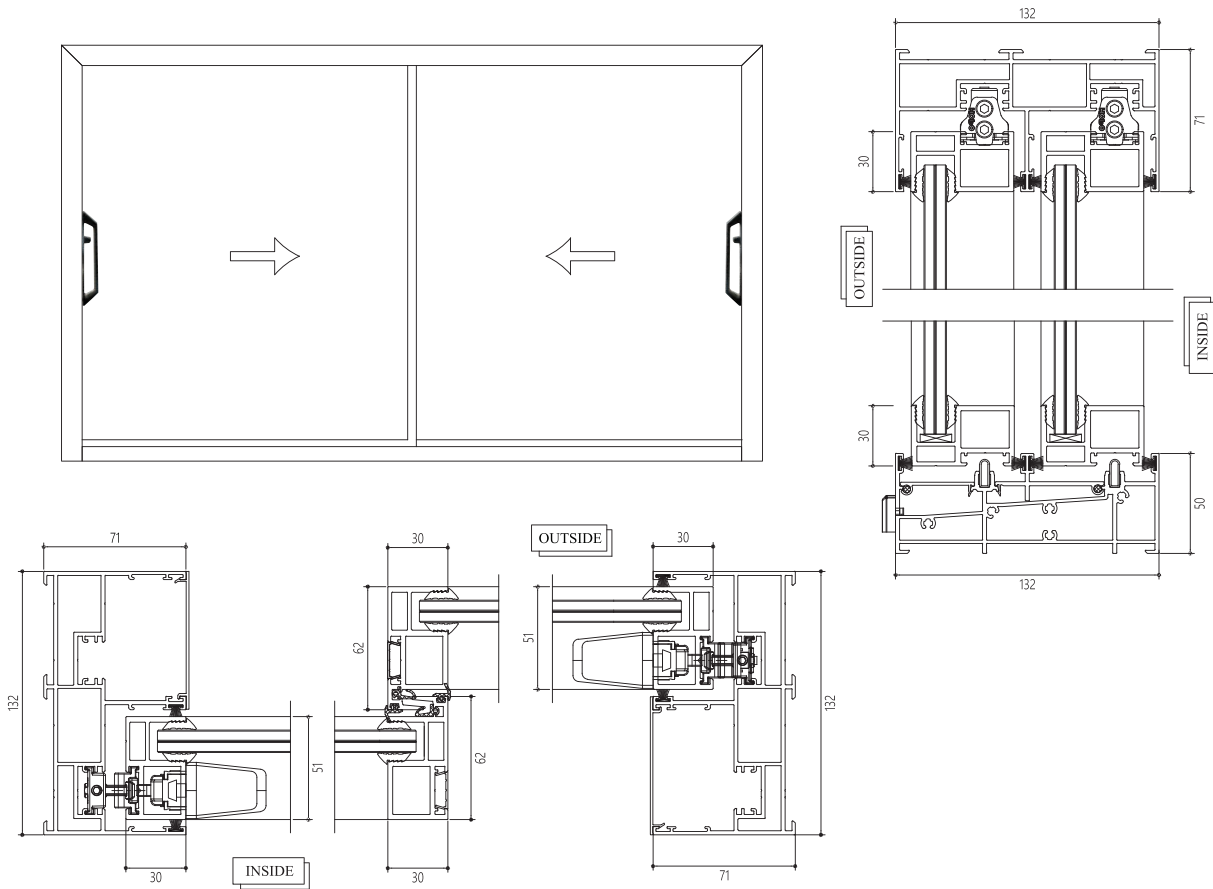
Make your dream abode look more premium by installing slim concealed windows. Designed for bungalows and premium apartments, they come equipped with an integrated “Concealed Locking System” with soft fin wool pile.

It ensures that the windows are interlocked comprehensively, shutting out disturbances like dust, noise, and water, by ensuring good functionality and durability. No fitting is visible from the inside, achieving aesthetics of seamless simplicity.

Crafted and designed in contemporary styles to complement your taste, the slim concealed windows can be the most elegant choice for your home decor. Made keeping the consumer needs in mind, these windows are available in an array of choices to cater to your specific needs.

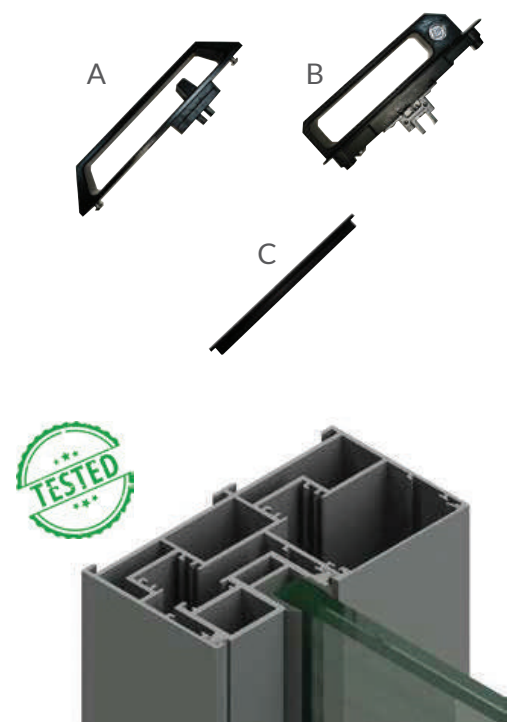


Disclaimer: Images shown are for representation purpose only



Technical Specification

- ◆ Available in 2 track and 3 track frames
- ◆ Maximum Shutter Dimensions 1500mm x 3000mm
- ◆ Multiple Locking System
- ◆ Maximum Load Carrying Capacity 300kg/shutter
- ◆ Wind Load Consideration upto 2 Kpa
- ◆ Maximum Glass Thickness 15.52mm
- ◆ Leaf profile width on all sides is extremely narrow
- ◆ Range of height adjustment of the guiding roller is +5mm
- ◆ Hardware Options : A) Multi point lock pull handle
B) Multi point lock pull handle C) 'L' Multi point pull handle



SLIMO CASEMENT

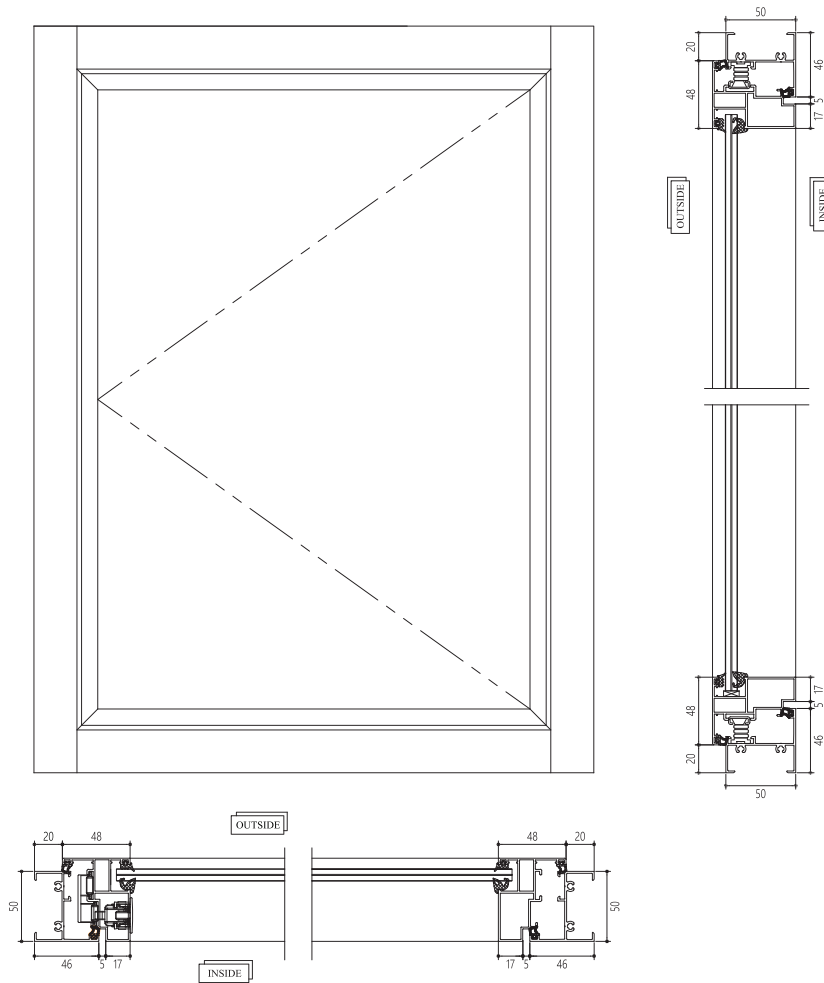
Designed for bungalows and premium apartments, these windows come equipped with an integrated “Concealed Locking System” with soft fin wool pile. They are a great addition for facilitating adequate air circulation in any room.

The exquisitely designed windows add a touch of panache to any space, instantly elevating its look and feel. As there are no issues of feasibility in large opening windows swinging inwards or outwards, these sliding windows can be designed and installed at large sizes, enabling large opening elements to windows for uninterrupted views and suitable ventilation.

These sturdy yet delicate looking windows provide flawless operation, noise restriction, no dust, and the ultimate protection from wind and rain.

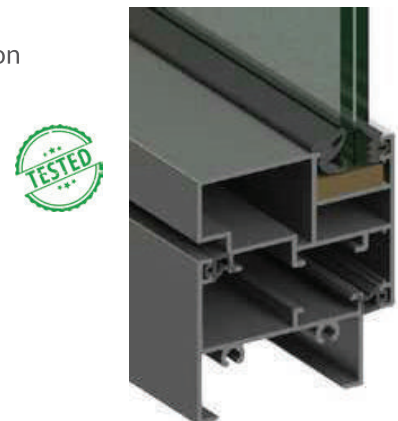
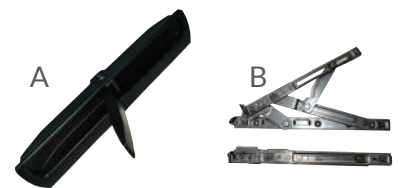


SLIMO Casement Series



Technical Specification

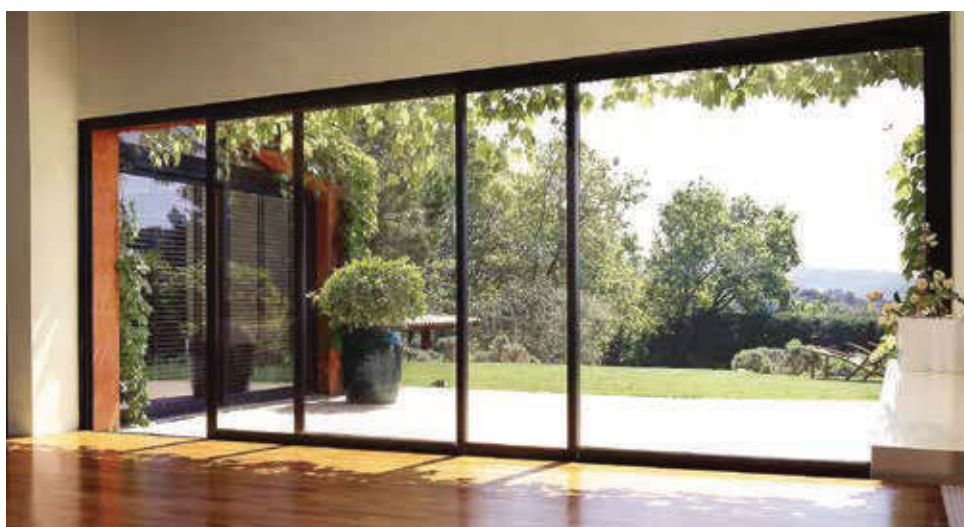
- ◆ Equipped with concealed handle, no fitting is visible from inside
- ◆ Superior strength of window profile even while being extremely narrow
- ◆ Slim Profile provides wider horizon for clear view and larger area ventilation
- ◆ High security friction hinges load bearing capacity upto 80kg
- ◆ Sealing Gasket combination of EPDM with foam to achieve better air, noise and water insulation from inside.
- ◆ Special rotary transmission hardware for convenient operation & handling
- ◆ Provision of integrated mosquito nets
- ◆ Hardware Options : A) Multi point lock pull handle
B) Friction Hinges



FRENCH WINDOWS AND DOORS

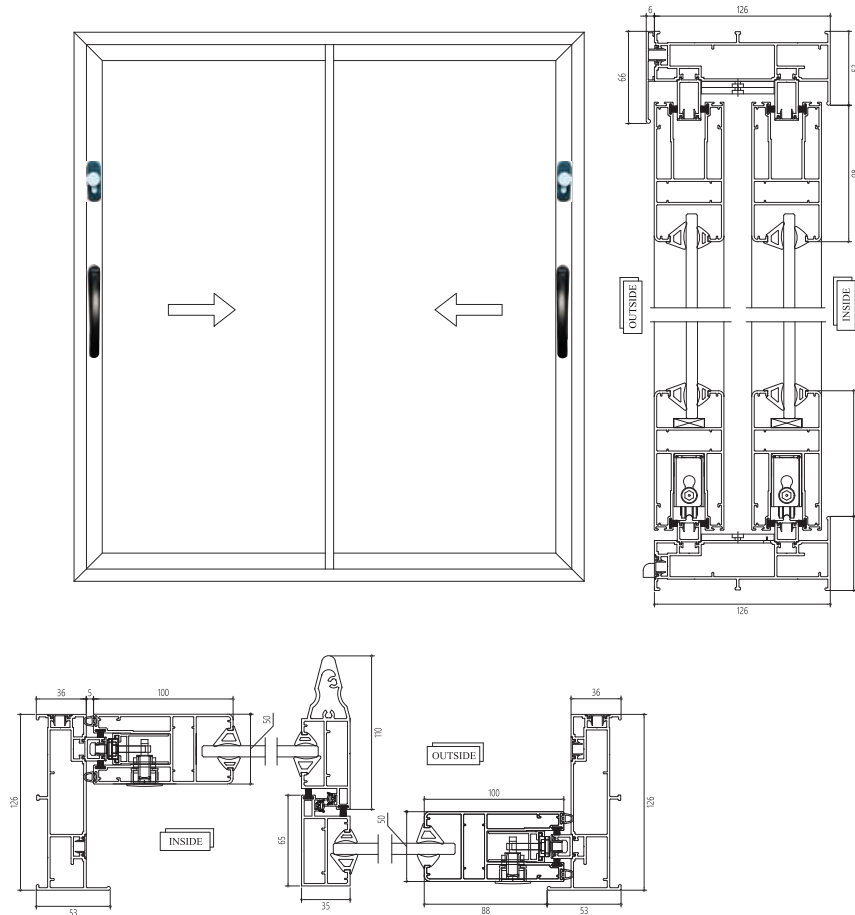
These handpicked and specially curated range of french windows and doors, add a touch of elegance to your home. They are certainly timeless, gracing spaces with an unmatched aesthetic brilliance.

The utility of these windows and doors is certainly a plus - heaps of natural light, ample air circulation, and a seamless connection of the indoors with the outdoors. Fresh air and natural light are especially vital for enhanced well-being and these windows and doors ensure that you get plenty of it. There's more than one reason to adorn your home with these French windows and doors!



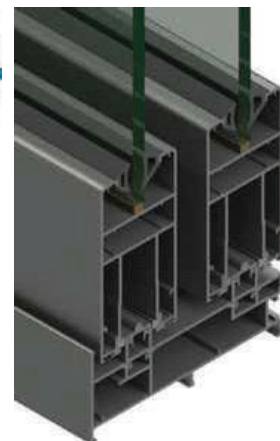
Geeta 50mm Sliding Series

GEETA
SERIES



Technical Specification

- ◆ Maximum Shutter Dimensions 1800 x3800mm
- ◆ Large Window Openings upto 3800mm in height
- ◆ Glazing Options -8mm, 10mm, 20mm,22mm and 30mm
- ◆ Rollers have Load bearing capacity upto 300 kg per shutter
- ◆ Multiple Point Lock available
- ◆ Well Designed Drainage System (Z" Drainage)
- ◆ Hardware Options : A) Multi point lock
B) Multi Point Lock With Cylinder And Handle



SLIDING FOLDING

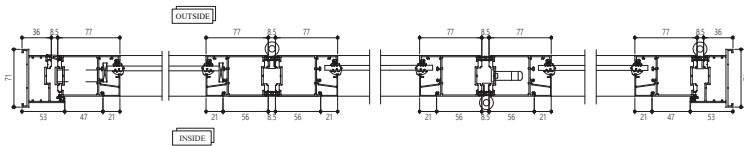
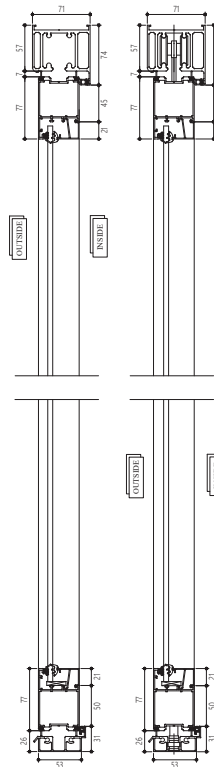
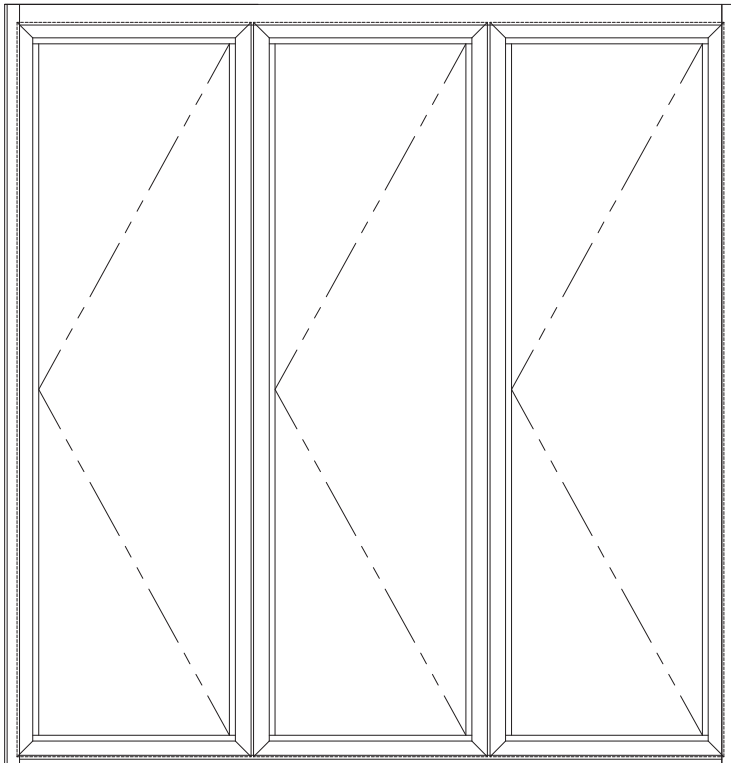
Add a hint of chic to your space with the sliding folding door, a versatile and flexible door system. It is a unique, impressive system that can unite internal and external areas, creating a unique living and social space. Suitable for residential applications, the system also ensures plenty of ventilation and natural light. The doors open both ways, in and out, giving you a continual supply of light and fresh air.

This system is a great alternative to sliding doors to open up an entire wall to make the most of a beautiful view or to bring a garden into the home. A unique feature of these doors is that they come with an extensive range of colours for you to choose from. You can now pick a door that compliments the decor of your home



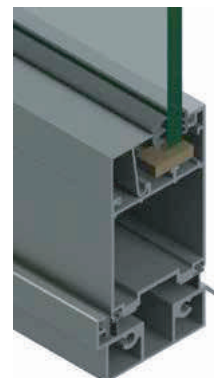
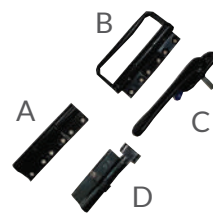
Sliding Folding

GEETA
SERIES



Technical Specification

- ◆ Maximum Shutter Dimensions (SGU) -800mmx 2700mm
- ◆ Maximum Shutter Dimensions (DGU) -750mmx 2500mm
- ◆ Multipoint lock available
- ◆ Shutter combination available in odd numbers
- ◆ Glazing options - 5mm -18mm
- ◆ Inside and Outside folding given more space
- ◆ 95% opening to verandas and gardens
- ◆ Hardware Options : A) Butt Hinges B) Handle with Hinges C) Popup Lock Handle D) Cylinder with Know E) Mortise Lock



GEETA SLIM SLIDING SERIES

Presenting a new way to enhance the look and feel of your home or office. These sliding windows add both aesthetic value and convenience to your living space. Engineered to slide back and forth, they facilitate more open space and ventilation. They are a great addition for facilitating adequate air circulation in any room.

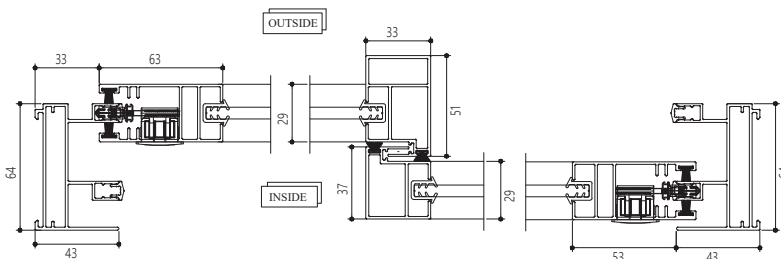
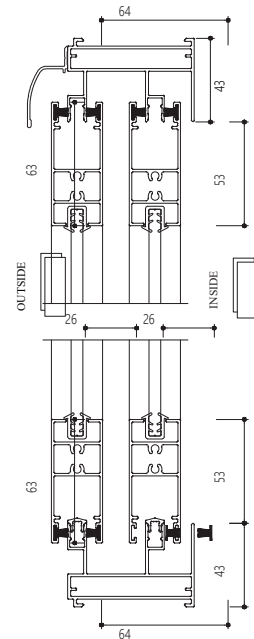
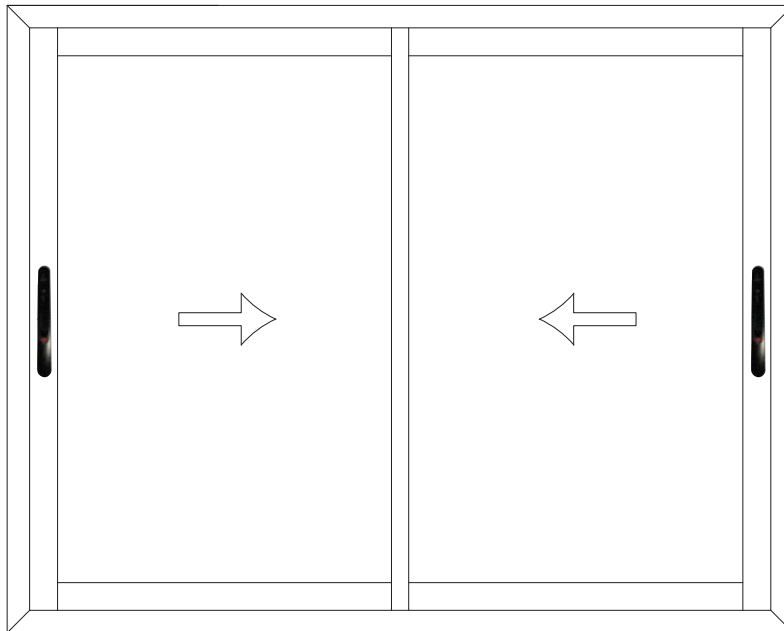
The exquisitely designed windows add a touch of panache to any space, instantly elevating its look and feel. The multi-point locking systems ensure safety and water-proofing. Their great functionality, durability and easy installation make these windows super user-friendly and feasible.

Crafted to cater to different needs and tastes, these windows are a great choice for small or limited spaces. They make the perfect choice for spaces like cubicles, balconies, interior partitions, and more.



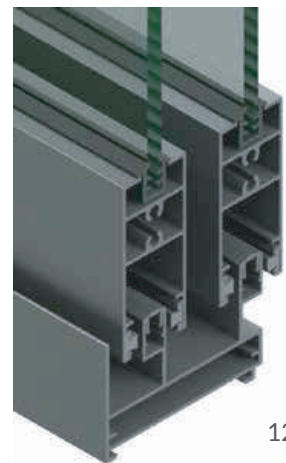
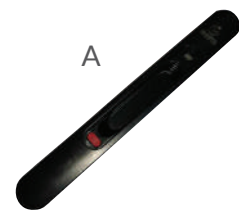
30X63MM Slim Sliding Series

GEETA
SERIES



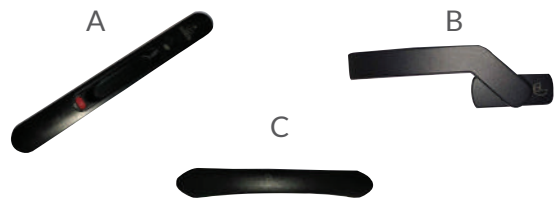
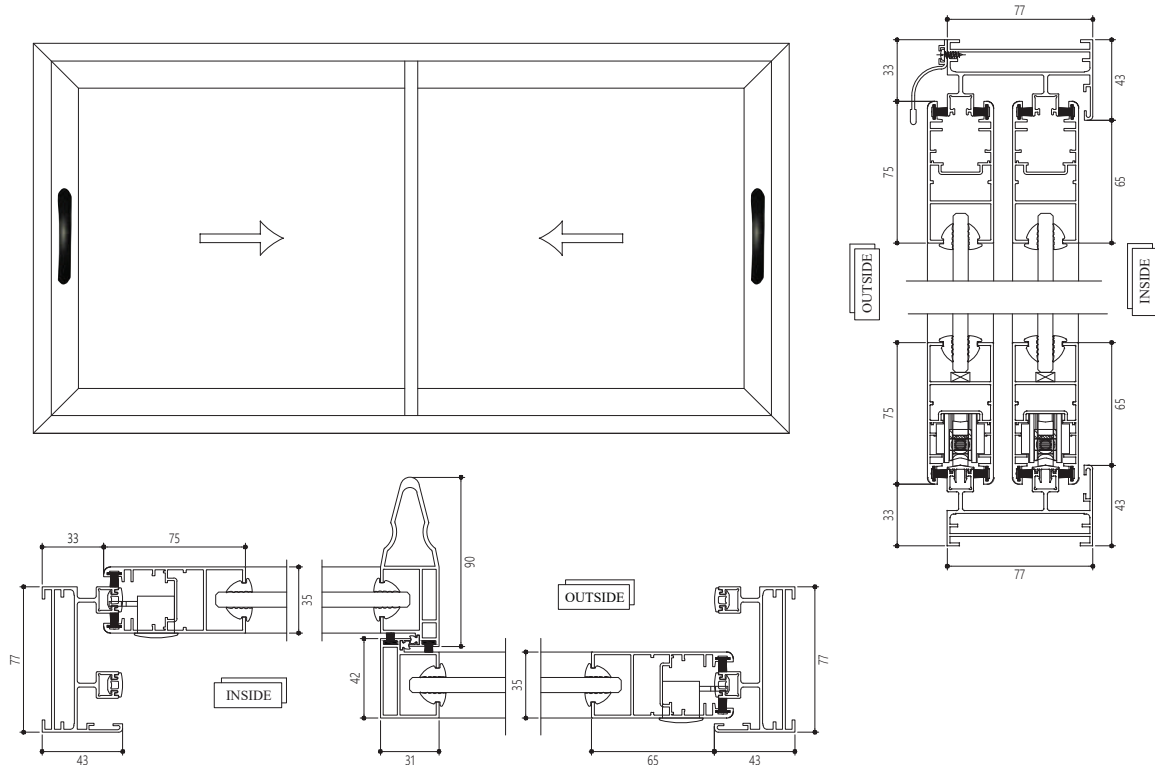
Technical Specification

- ◆ Physically tested system as per ASTM & AAMA standards
- ◆ Maximum Shutter Dimensions 1000mmx 2200mm
- ◆ Available in 2 track and 3 track
- ◆ Single Glass options 5mm, 6mm and 8mm
- ◆ Combination Frame option available
- ◆ All Hardware European make
- ◆ Specially designed for High rise and Affordable segment
- ◆ Multi-point locking available
- ◆ Hardware Options : A) Concealed Lock



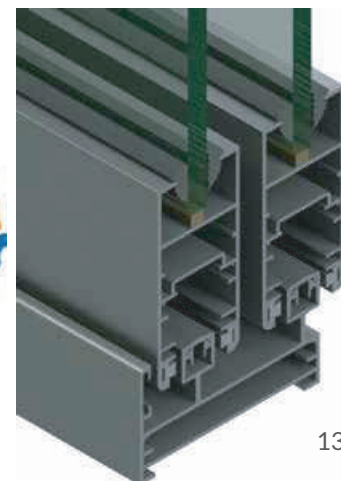
Geeta 35x75MM Sliding Slim Series

GEETA
SERIES



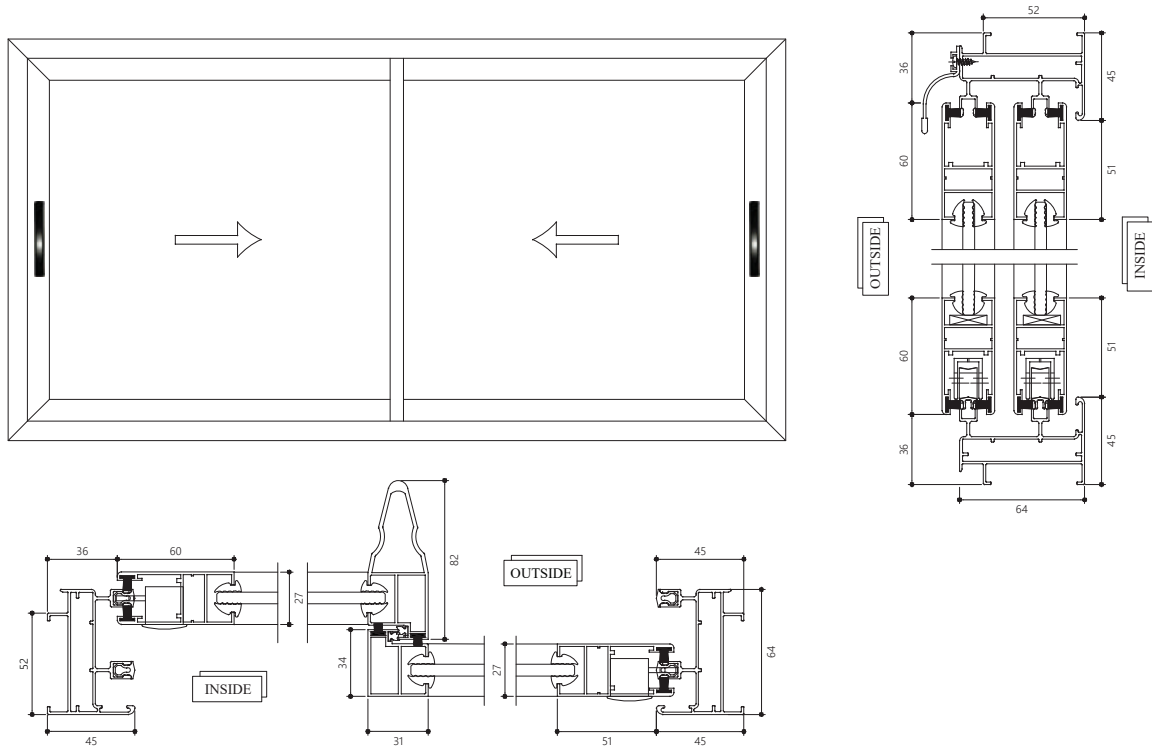
Technical Specification

- ◆ Maximum Shutter Dimension 1500mm x 2400mm
- ◆ Maximum Glass thickness 22mm
- ◆ Available in 2 track, 3 track and 4track frame
- ◆ Single or Double insulated Glass available
- ◆ Multi point lock
- ◆ KPa DG Handle shutter
- ◆ Flymesh Integration
- ◆ Slim Interlock Re-inforcement upto 1.5 KPa
- ◆ Hardware Options : A) Concealed Lock Automatic
B) Short Neck Handle C) Metro Handle



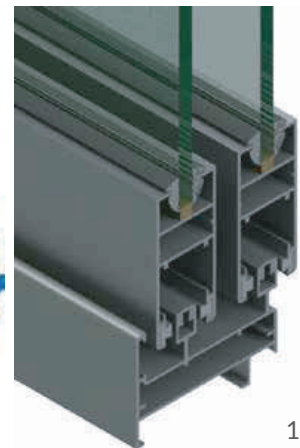
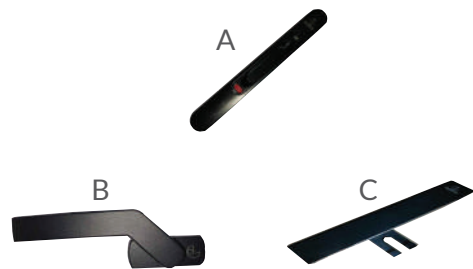
27x60MM Sliding Slim Series

GEETA
SERIES



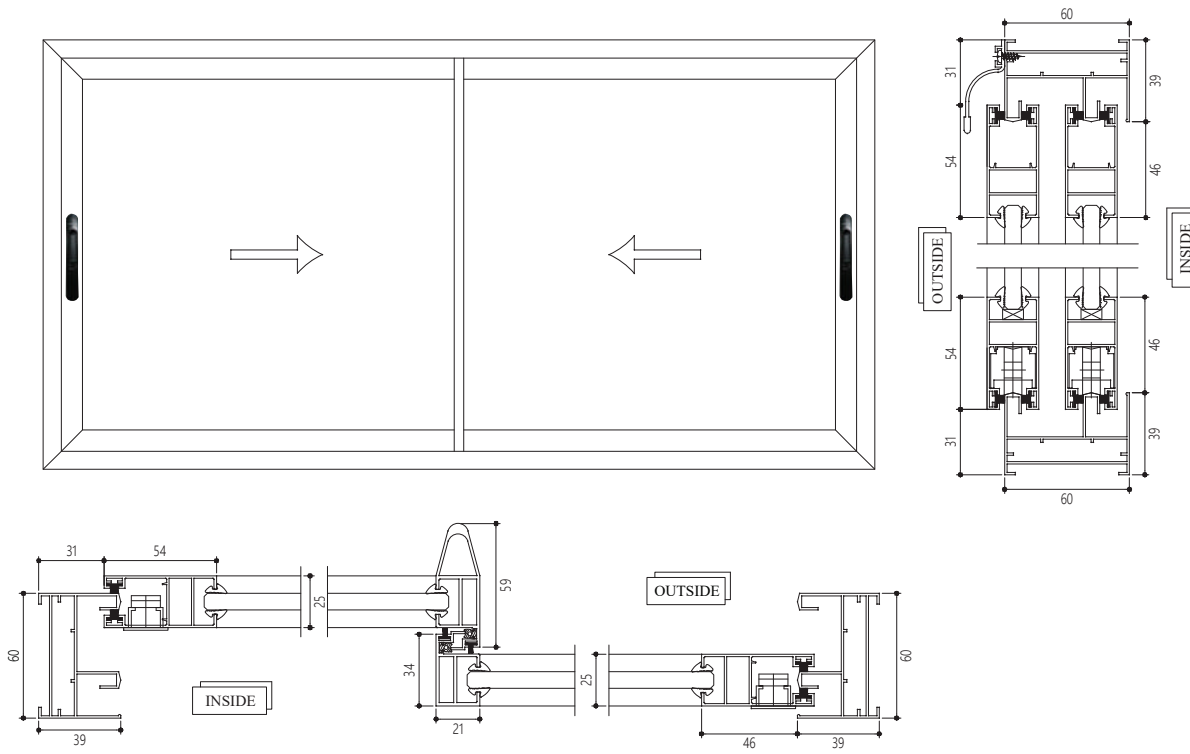
Technical Specification

- ◆ Maximum Shutter Dimensions 1200mm x 2200mm
- ◆ Maximum Glass Thickness 18mm
- ◆ Available in 2 track, 3 track and 4 track frame
- ◆ Single or Double insulated Glass available
- ◆ Multi point lock
- ◆ KPa DG Handle shutter
- ◆ Flymesh Integration
- ◆ Hardware Options : A) Concealed Lock Automatic
B) Short Neck Handle C) Metro Handle



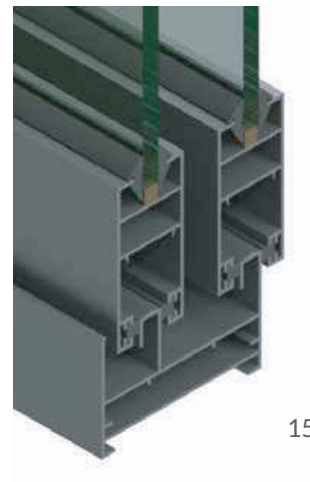
25x54MM Sliding Slim Series

GEETA
SERIES



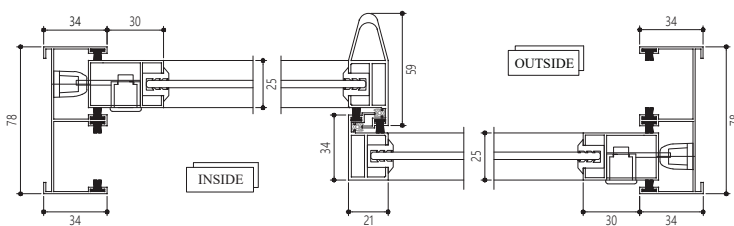
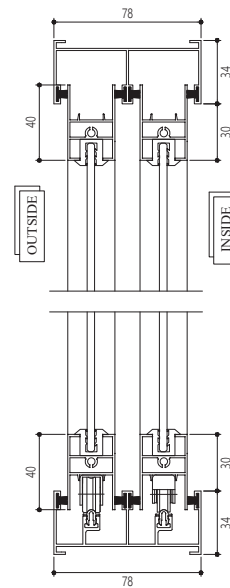
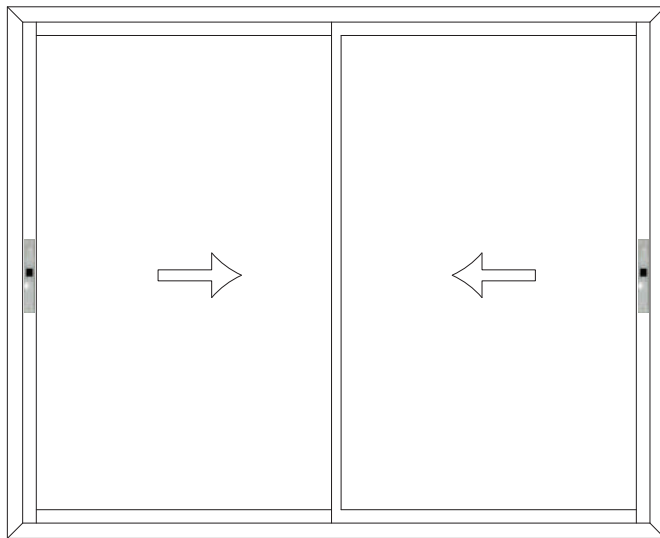
Technical Specification

- ◆ Maximum Shutter Dimensions 900mm x 1800mm
- ◆ Maximum Glass Thickness 5mm/6mm
- ◆ Available in 2 track , 3 track & 4 track
- ◆ Light weight sections
- ◆ Hardware compatible with Aluminium sections
- ◆ Hardware Options : A) Concealed Lock Automatic
B) Bearing



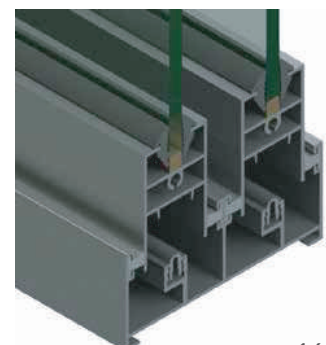
Ultra Value Window (UVW)

GEETA
SERIES



Technical Specification

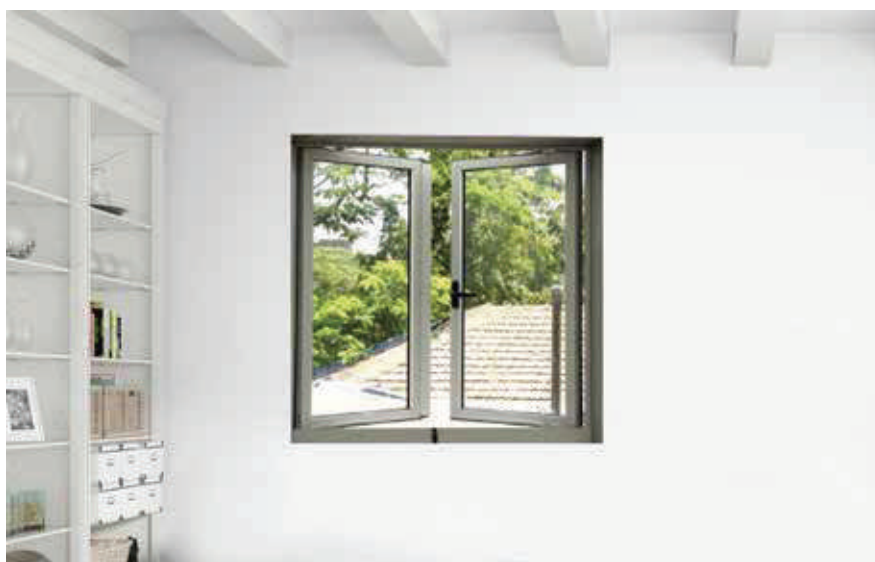
- ◆ Sleeker Design
- ◆ Maximum Shutter Dimensions 900mmx1800mm
- ◆ Available in 2 track and 3 track
- ◆ Wind Load capacity upto 1.5Kpa.
- ◆ Optimum weight designed profiles
- ◆ Hardware design compatible with aluminium sections
- ◆ Concealed shutter option available
- ◆ Hardware Options : A) Concealed Lock
B) Bearing



CASEMENT WINDOWS AND DOORS

If you like taking a moment to enjoy the pleasant breeze with an uninterrupted view of the world, then our casement windows are the perfect fit for your personal or professional space. These classic windows have a two-point locking system and come with single and double glass options. The special duty butt hinges ensure higher load carrying capacity, making them even more robust.

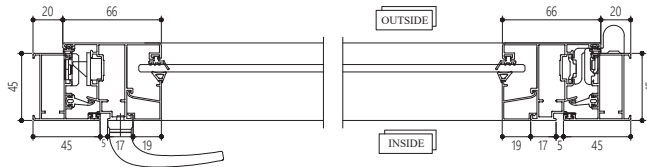
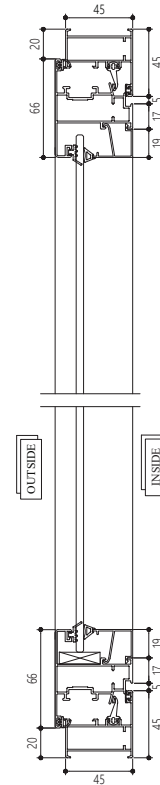
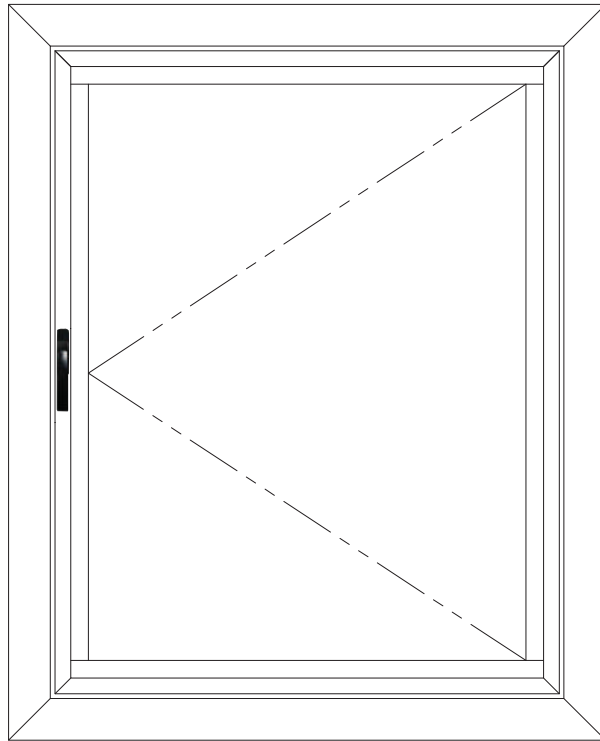
These casement windows allow air to circulate in its full potential through the space. This ensures not just great ventilation, but also holds a host of other benefits. Both natural light and ventilation are crucial in setting the tone of a particular space. The natural light and air flow allow indoor pollutants to move out of your space, improve the indoor air quality, add a hint of freshness to the space, and at the same time elevate the ambience instantly.



Disclaimer: Images shown are for representation purpose only

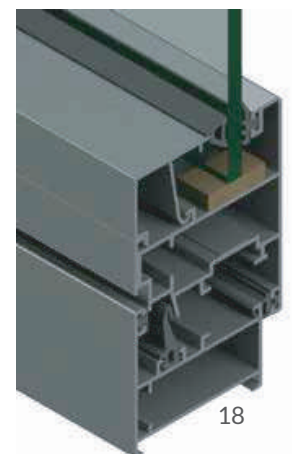
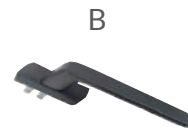
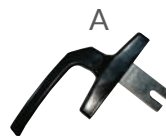
52EG Casement Window

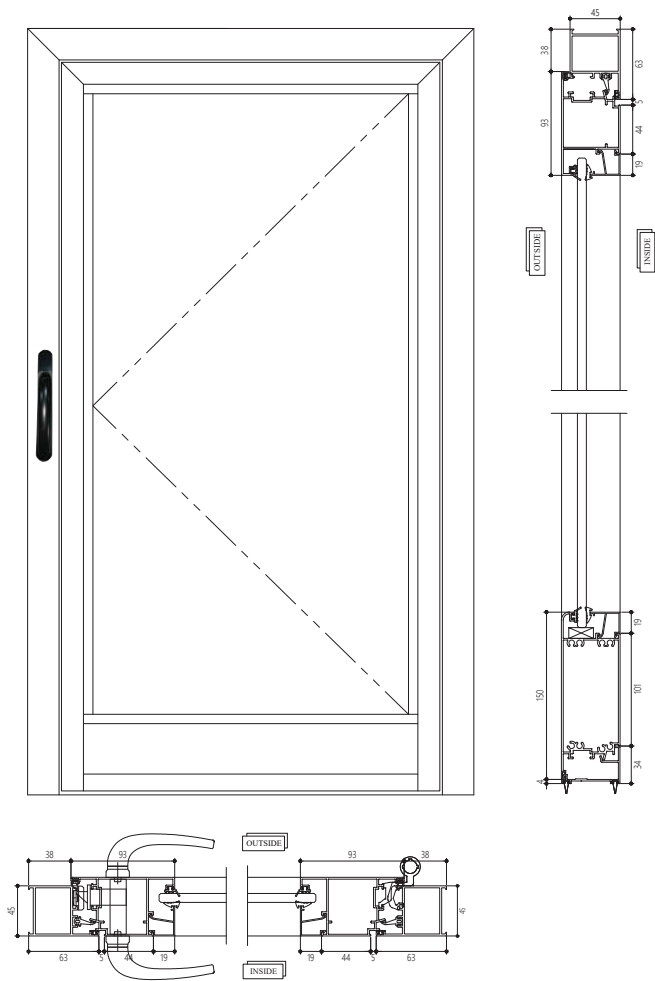
GEETA
SERIES



Technical Specification

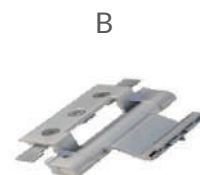
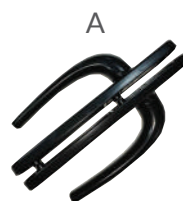
- ◆ Maximum Shutter Dimensions 900mm x1800mm
- ◆ Two Point locking available
- ◆ Options for Single/ Double shutter and combinations of openable and fixed
- ◆ Hair Line corner joints possible with the help of spring loaded corner cleat
- ◆ European make special butt hinges for higher load carrying capacity
- ◆ Hardware Options : A) Multi Point Lock OP-1
B) Multi Point Lock OP-2 C) Friction Hinges



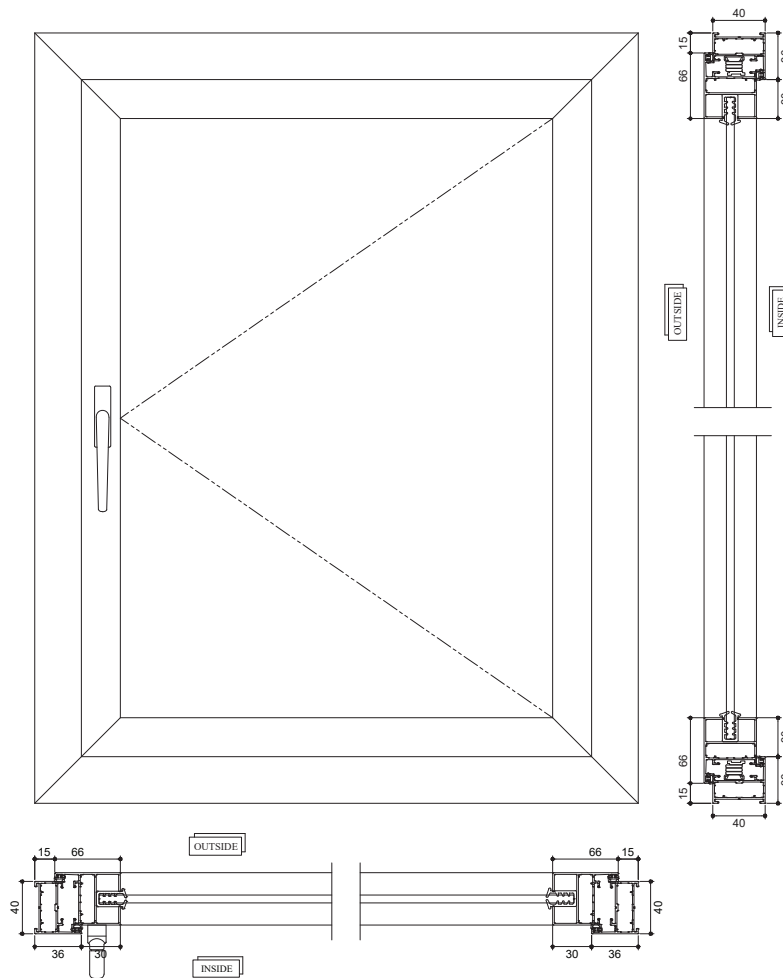


Technical Specification

- ◆ Maximum Shutter Dimensions 900mm x3000mm
- ◆ Maximum Glass Thickness 24mm
- ◆ Two point locking available
- ◆ Single/ Double Shutter available
- ◆ Single/Double Glass available
- ◆ Possibility to fit Mortise lock with cylinder and spring loaded handle for doors
- ◆ Profiles compatible for Euro Groove Hardware
- ◆ Special heavy and light duty butt hinges for carrying capacity
- ◆ Hardware Options : A) Mortise Lock
B) Butt Hinges

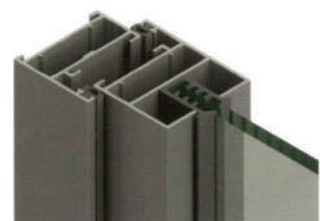
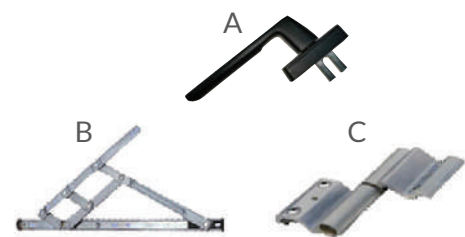


40MM Casement Window w/o Beading



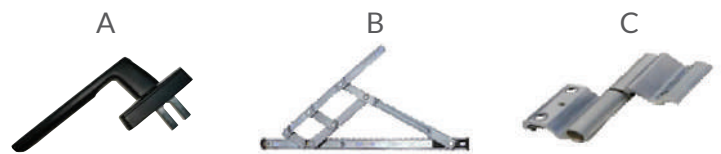
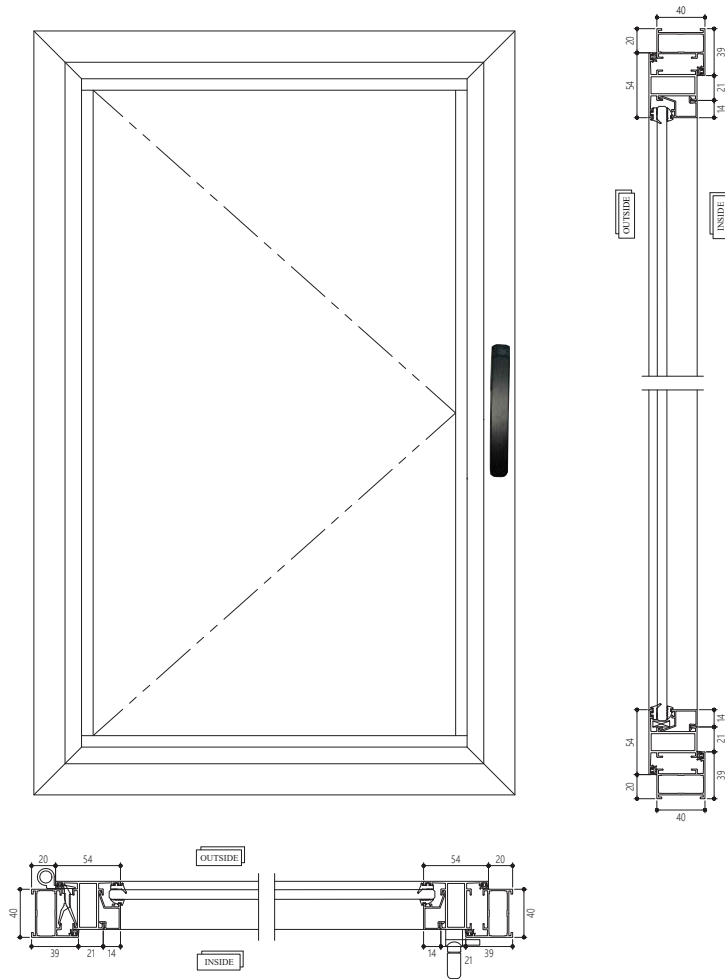
Technical Specification

- ◆ Maximum Shutter Dimensions 800mm x1600mm
- ◆ Two Point locking available
- ◆ Options for Single/Double shutter and combinations of openable and fixed
- ◆ Hair Line corner joints possible with the help of spring loaded corner cleat
- ◆ Bigger sections for transom and bottom cill available
- ◆ Profiles compatible for Euro Groove Hardware
- ◆ European make special butt hinges for higher load carrying capacity
- ◆ Hardware Options : A) Multi Point Lock B) Friction Hinges C) Butt Hinges



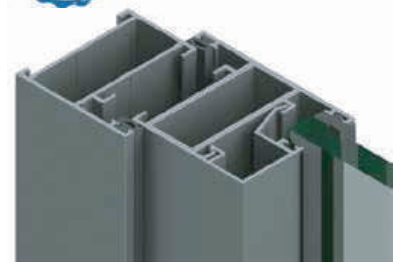
40MM Casement Window

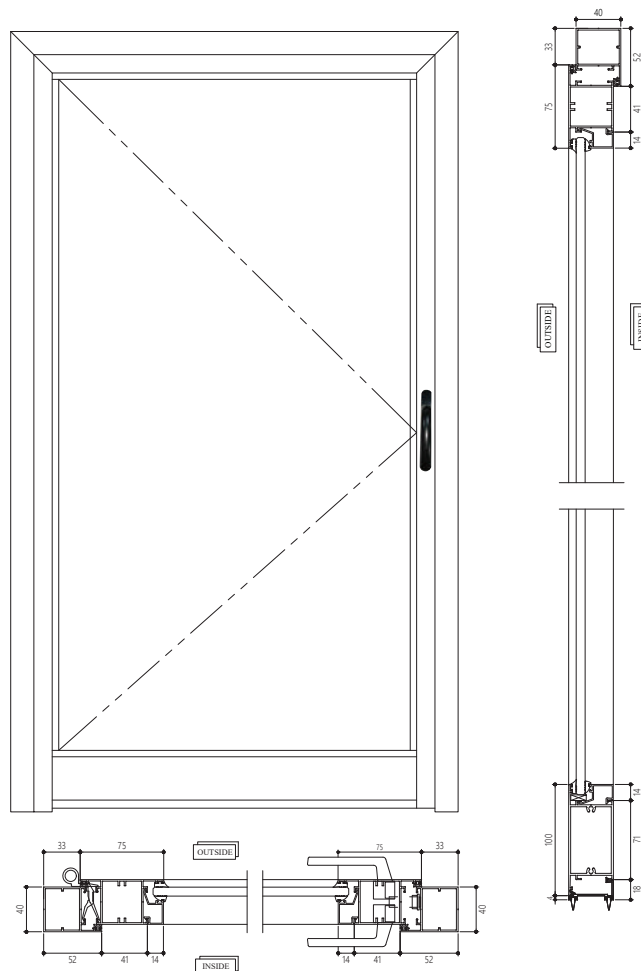
GEETA
SERIES



Technical Specification

- ◆ Maximum Shutter Dimensions 800mm x1600mm
- ◆ Two Point locking available
- ◆ Options for Single/ Double shutter and combinations of openable and fixed
- ◆ Hair Line corner joints possible with the help of spring loaded corner cleat
- ◆ Bigger sections for transom and bottom cill available
- ◆ Profiles compatible for Euro Groove Hardware
- ◆ European make special butt hinges for higher load carrying capacity
- ◆ Hardware Options : A) Multi Point Lock B) Friction Hinges
C) Butt Hinges





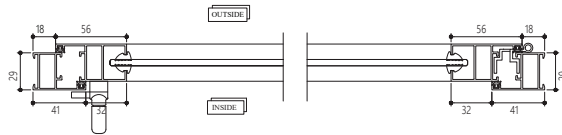
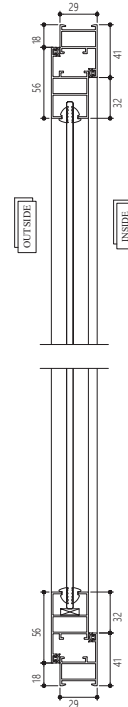
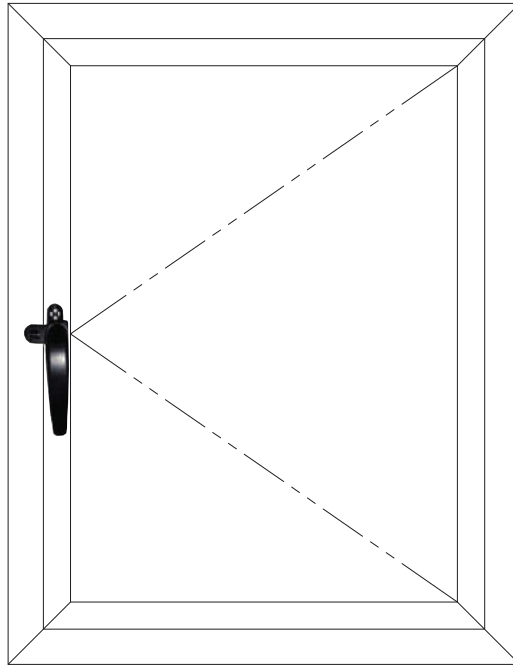
Technical Specification

- ◆ Maximum Shutter Dimensions 900mm x2200mm
- ◆ Two Point locking available
- ◆ Options for Single/ Double shutter and combinations of openable and fixed
- ◆ Hair Line corner joints possible with the help of spring loaded corner cleat
- ◆ Possibility to fit Mortise lock with cylinder and spring loaded handle for doors
- ◆ European make special butt hinges for higher load carrying capacity
- ◆ Hardware Options : A) Mortise Lock



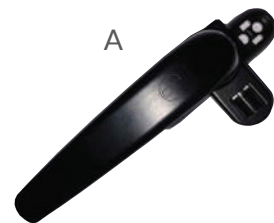
29mm Casement Window

GEETA
SERIES



Technical Specification

- ◆ Maximum Shutter Dimensions 750mm x1200mm
- ◆ Maximum Glass Thickness 6mm
- ◆ Hardware combination available with single point lock and friction hinges
- ◆ Ideal to be used as bathroom windows
- ◆ Hardware Options : A) Single Point Lock



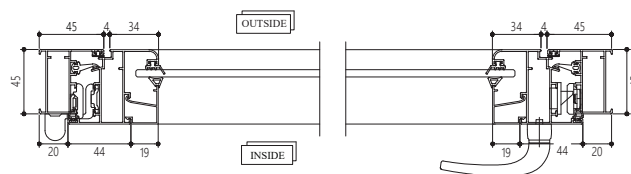
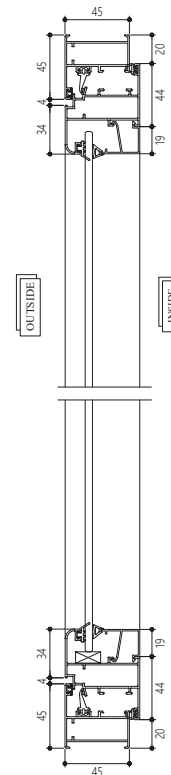
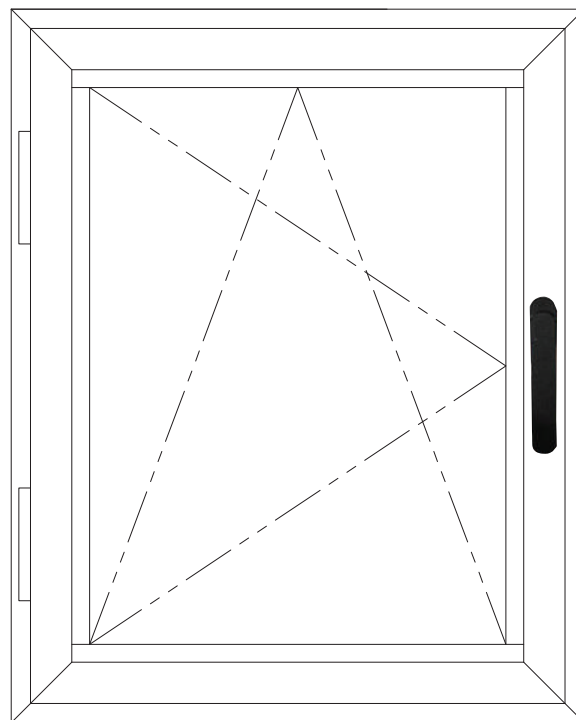
TILT & TURN WINDOWS

The Tilt & Turn windows are very versatile and practical, as they can be opened in two ways. When tilted, the window can open inwards providing light, rain protection and ventilation. When turned, the window can act as casement windows, swinging their full glass area open. This unique feature not only adds to the aesthetic appeal but also to the usability.

The flexibility of these tilt and turn windows allow you to open a window even in a small room for ventilation. While they allow an ample air flow, at the same time the tilt prevents rain water from entering the house.

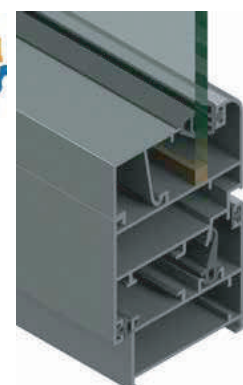
While these windows are extremely stylish and contemporary looking, they also offer a great deal of ease in terms of usability. Moreover, they make cleaning and maintenance extremely easy.





Technical Specification

- ◆ Maximum Shutter Dimensions 760mmx 1500mm
- ◆ Single Glass Glazing option 6m and 8mm
- ◆ Double Glass Glazing option 22m and 24mm
- ◆ Three window operations in one; tilts & turns with a single lever
- ◆ Added security can be used as a fire or smoke escape window
- ◆ Draft-free ventilation , used in conference rooms and duct areas
- ◆ Hardware Options : A) Tilt & Turn Handle

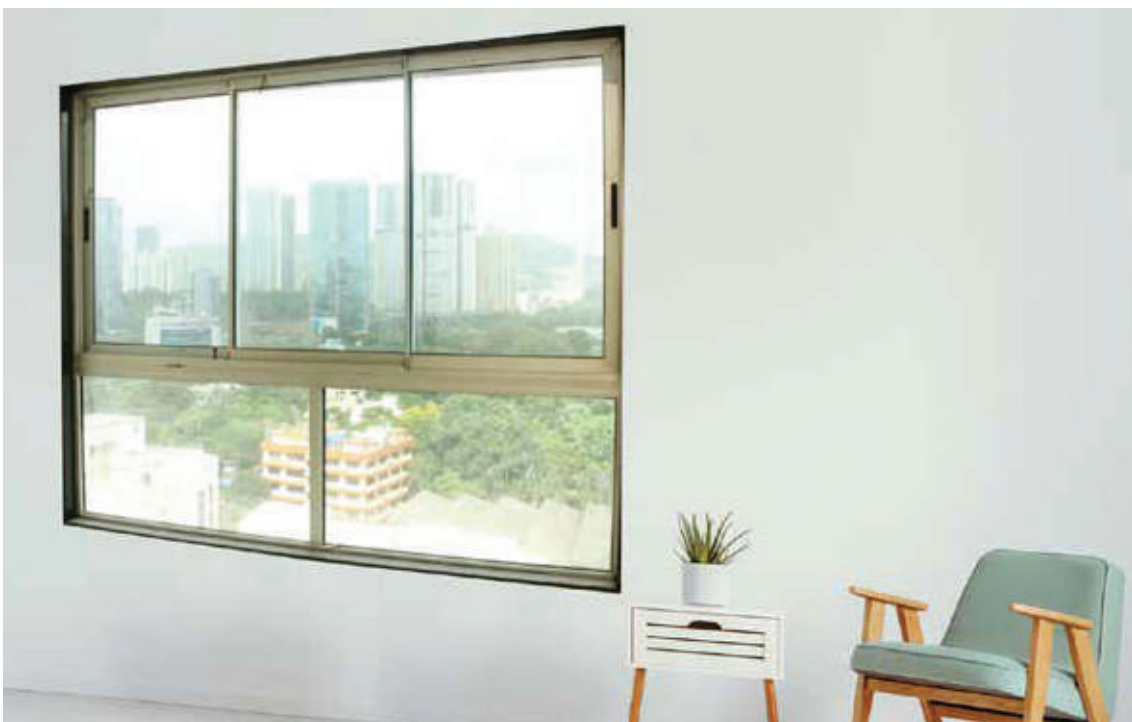


COMBINATION WINDOWS

Designed specially for high rise buildings with top sliding and bottom fixed windows, a combination window can serve as the focal point of your living room, dining room, or master bedroom. Whether you are looking to add more drama to your space or trying to go the other way with a classic look, combination windows are the right pick for you.

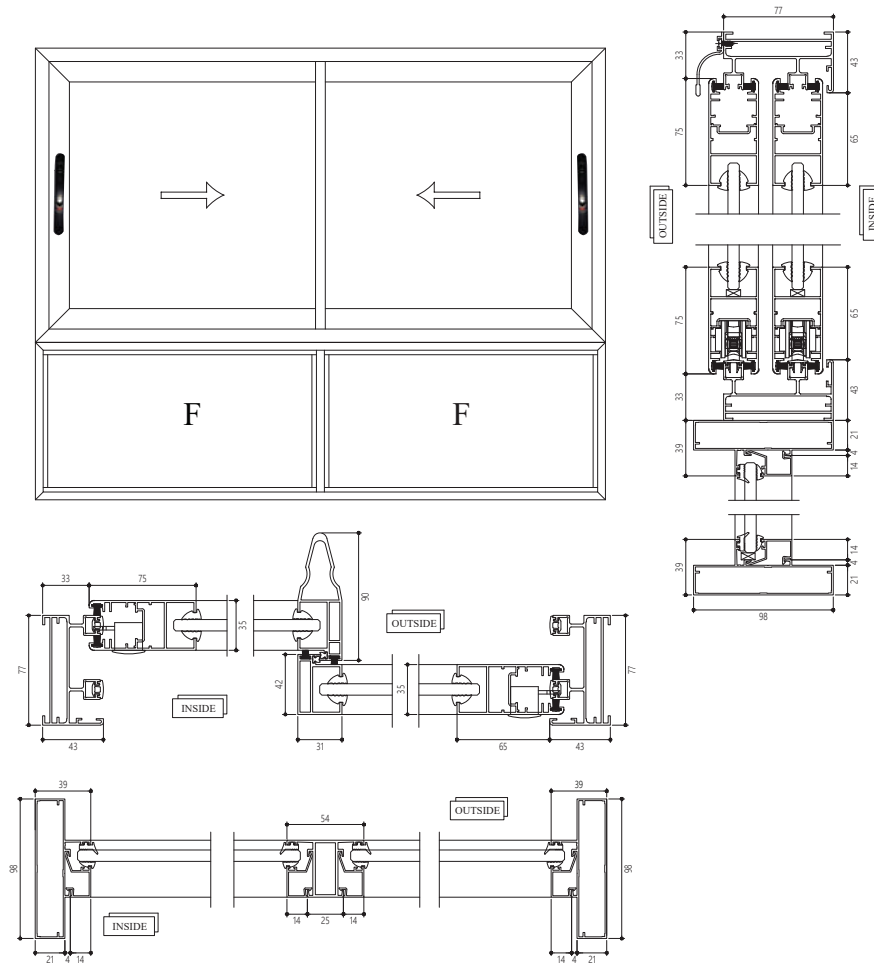
A sleeker and sturdier combination system helps the windows withstand gigantic wind loads. Special drainage ensures better outflow of water during monsoons and the anti-capillary pad fitted from the top seals water and air.

Simply put, combination windows are a set of windows placed next to one another to provide you the best of both worlds.



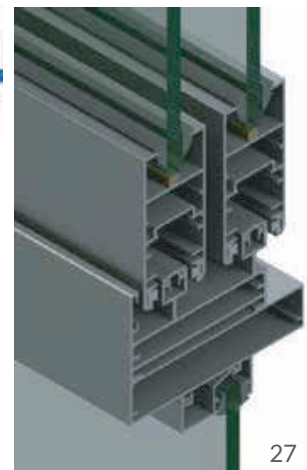
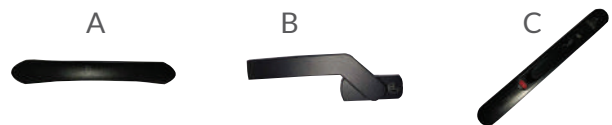
35x75MM Combination Guide Rail System

GEETA
SERIES



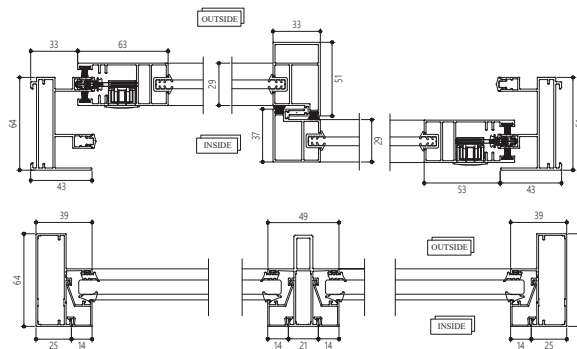
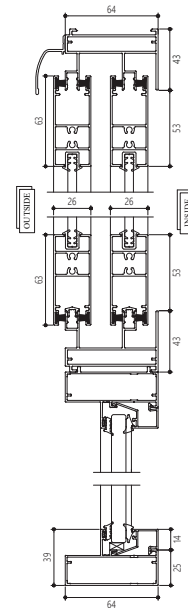
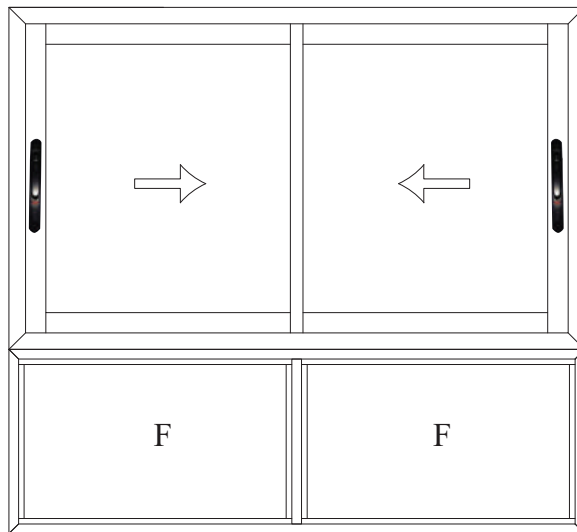
Technical Specification

- ◆ Maximum Shutter Dimensions 1500mm x2600mm
- ◆ Maximum Glass Thickness 23mm
- ◆ Available in 2 track and 3 track
- ◆ Single Glass and Double Glass shutter available
- ◆ Single & Multipoint lock available
- ◆ Slim Interlock reinforcement can go upto 1.5 KPa
- ◆ Combination of Sliding & Fixed window
- ◆ Anodized add- on rail
- ◆ Handle section with reinforcement to withstand wind loads in high rises
- ◆ Special drainage for better outflow of water during monsoons
- ◆ Flymesh can be installed
- ◆ Hardware Options : A) Metro Handle
B) Short Neck Handle C) Concealed Lock Automatic



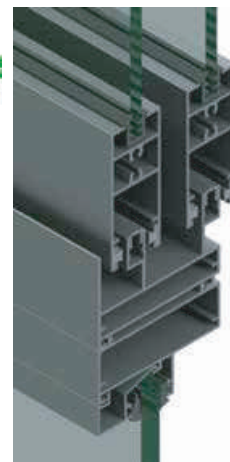
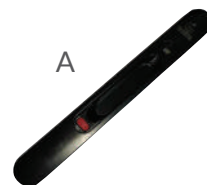
30x63MM Combination Guide Rail system

GEETA
SERIES



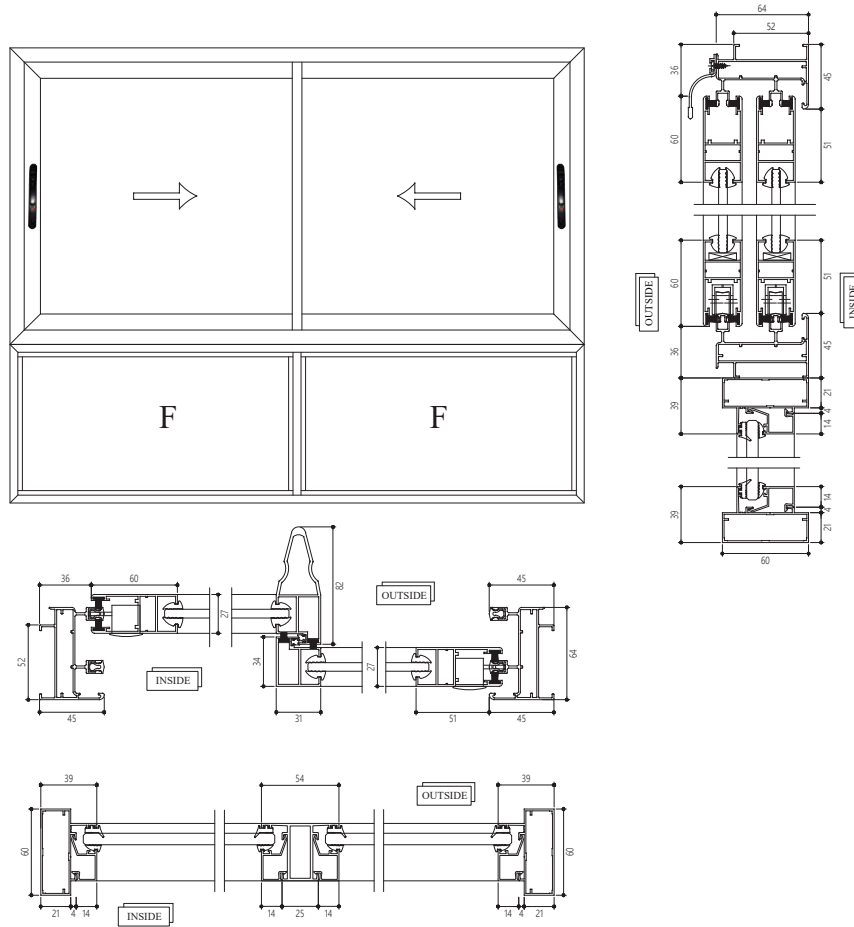
Technical Specification

- ◆ Physically tested system as per ASTM & AAMA standards
- ◆ 2 track & 3 track available
- ◆ Maximum shutter dimensions- 1500mm x 2250mm
- ◆ Maximum Glass thickness -8mm
- ◆ Shutter of Single glass available
- ◆ Slim Interlock re-inforcement upto 3.75KPa
- ◆ Anodized add-on rail to protect from damages caused by regular operations
- ◆ Special drainage for better outflow of water during monsoons
- ◆ Hardware Options : A) Concealed Lock Automatic



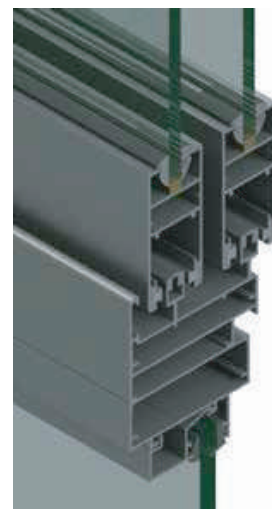
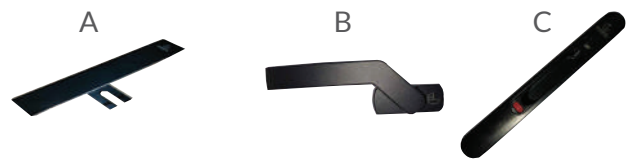
27x60MM Combination Guide Rail System

GEETA
SERIES



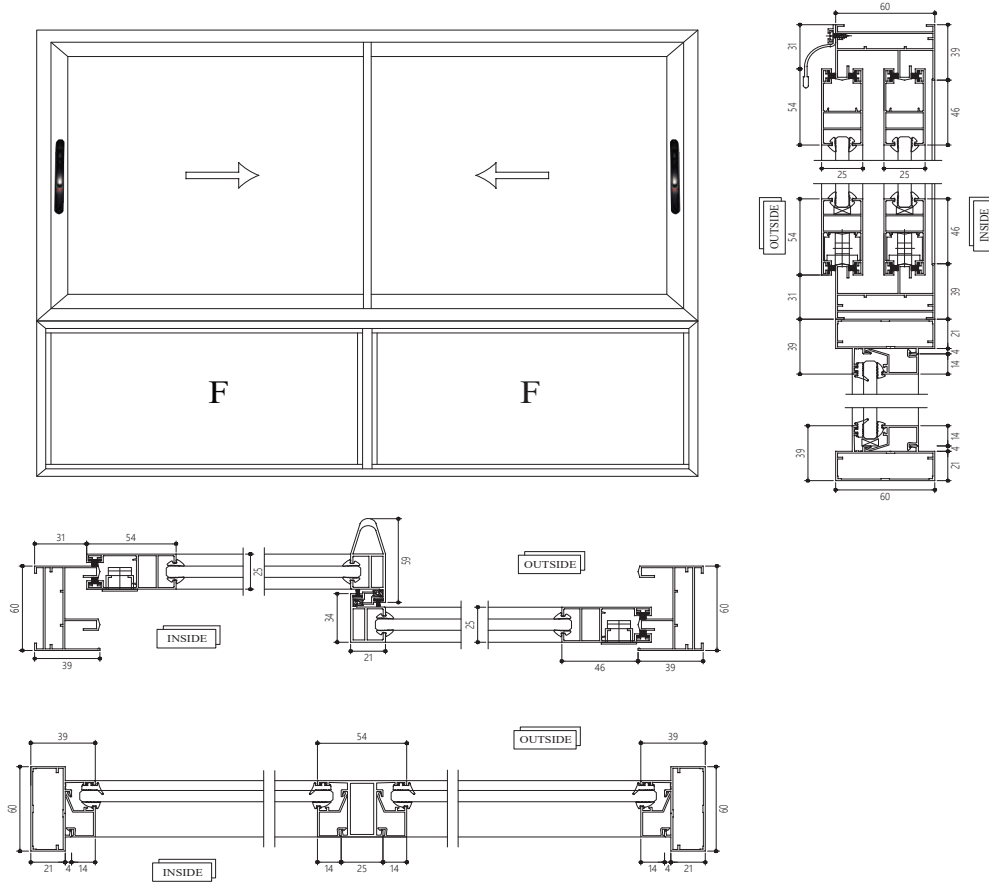
Technical Specification

- ◆ Maximum Shutter Dimensions 1200mm x 2200mm
- ◆ Maximum Glass Thickness 18mm
- ◆ Available in 2 track and 3 track
- ◆ Single Glass and Double Glass shutter available
- ◆ Single & Multipoint lock available
- ◆ Combination of Sliding & Fixed window
- ◆ Anodized add- on rail
- ◆ Handle section with reinforcement to withstand wind loads in high rises
- ◆ Special drainage for better outflow of water during monsoons
- ◆ Flymesh can be installed
- ◆ Hardware Options : A) Metro Handle
B) Short Neck Handle C) Concealed Lock Automatic



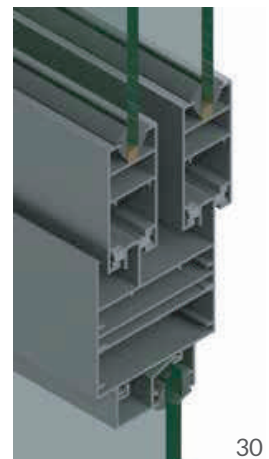
25x54mm Combination Window System

GEETA
SERIES



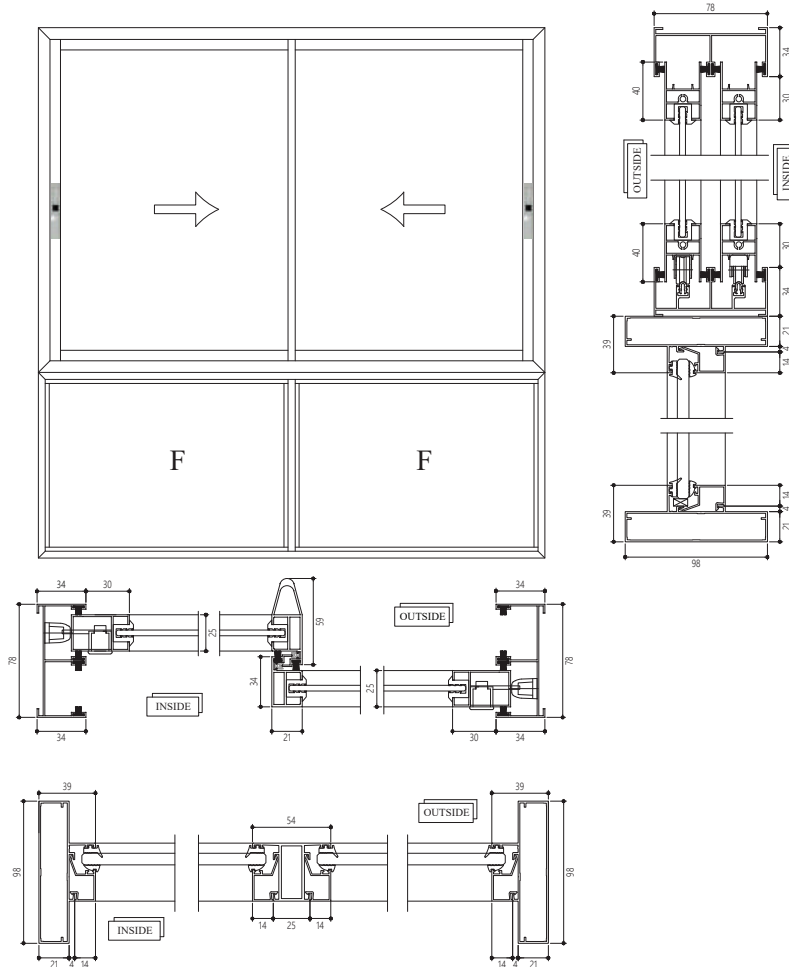
Technical Specification

- ◆ Maximum Shutter Dimensions 900mm x2000mm
- ◆ Maximum Glass Thickness 5mm/6mm
- ◆ Available in 2 track and 3 track
- ◆ Single Glass shutter available
- ◆ Combination of Sliding & Fixed window
- ◆ Anodized add- on rail
- ◆ Handle section with reinforcement to withstand wind loads in high rises
- ◆ Special drainage for better outflow of water during monsoons
- ◆ Flymesh can be installed
- ◆ Hardware Options : A) Concealed Lock B) Bearing



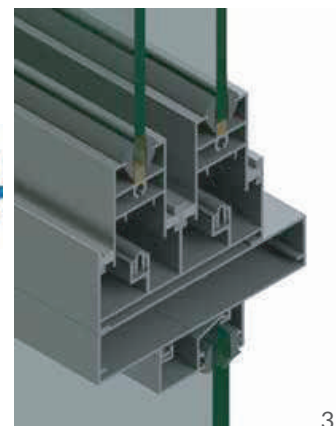
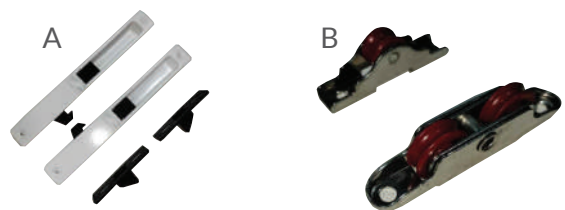
Ultra Value Window (UVW) Combination System

GEETA
SERIES



Technical Specification

- ◆ Sleeker Design
- ◆ Maximum Shutter Dimensions 900mmx1800mm
- ◆ Available in 2 track and 3 track
- ◆ Wind Load capacity upto 1.5Kpa.
- ◆ Optimum weight designed profiles
- ◆ Hardware design compatible with aluminium sections
- ◆ Concealed shutter option available
- ◆ Hardware Options : A) Concealed Lock
B) Bearing





ADDRESS:

GEETA Aluminium Company Pvt. Ltd.

D/5, Ansa Industrial Estate, Saki Vihar Road, Sakinaka,
Andheri East, Mumbai-400072, Maharashtra, India



www.geetaaluminium.com



+91 22 28471124,
28474013/ 4019



enquiry@geetaaluminium.com



[/geetaaluminium](https://www.facebook.com/geetaaluminium)



[/geetaaluminium](https://www.instagram.com/geetaaluminium)